



Cubicle Load Break Switch



Load Break Switch Enclosed



Function

- On load Making & Breaking current
- Emergency breaking
- Safe isolation of downstream loads for maintenance purpose

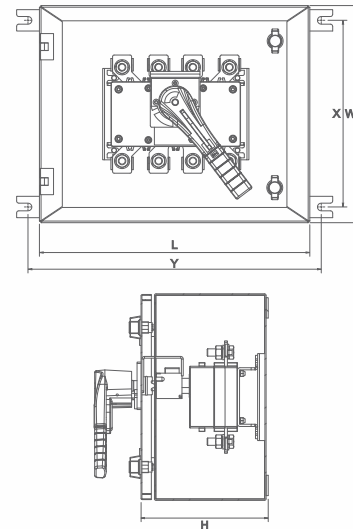
General Characteristics

- Black Handle padlockable in I-O position
- CRCA Sheet (Door 1.2 mm & Body 1.6mm)... 63A to 800A
- CRCA Sheet (Door & Body both 2.0mm)... 1000A to 3150A
- RAL 7035
- 2 External earthing points on each side
- Wall mounted with 4 bolts
- Door locking system allows opening of door only in OFF position
- Incoming & outgoing easily interchangeable at site
- Coating of epoxy polyester powder 70 micron
- Removable plate top & bottom
- Door with solid hinges

References and Dimensions

Rating	L	W	H	X	Y
63A-100A	180	255	143	215	210
125A-200A	260	365	190	325	290
250A-320A	345	455	200	415	375
400A-630A	395	575	237	515	425
800A	500	680	258	620	550
1000A-1600A	630	655	258	600	655
2000A-3150A	630	750	363	685	655

Note: All dimensions in mm



HPL Electric & Power Pvt. Ltd.

Formerly : HPL Socomec Pvt. Ltd.

Corporate Office : 1/21, Asaf Ali Road, New Delhi - 110 002, INDIA

Tel.: +91-11-23234411, 23234811, Fax : +91-11-23232639 | E-mail : hpl@hplindia.com

- | | | | | | | |
|----------------------------|-------------------------|---------------------------|--------------------------|----------------------------|----------------------------|---------------------------|
| • Ahmedabad 079-30021025 | • Indore 0731-4225540 | • Vijayawada 0866-6622291 | • Davangere 0891-2794506 | • Kanyakumari 0891-2794506 | • Nasik 0891-2794506 | • Srinagar 0891-2794506 |
| • Bangalore 080-22863068 | • Jaipur 0141-5106268 | • Vizag 0512-2316017 | • Goa 0512-2316017 | • Kolhapur 0512-2316017 | • Patiala 0512-2316017 | • Sambalpur 0512-2316017 |
| • Bhubaneswar 0674-6538229 | • Kanpur 0512-2316017 | • Agartala 033-65394379 | • Gorakhpur 033-65394379 | • Kota 033-65394379 | • Pondicherry 033-65394379 | • Tirupati 033-65394379 |
| • Chandigarh 0172-5077815 | • Kolkata 033-65394379 | • Agra 0522-4021687 | • Belgaum 0522-4021687 | • Ludhiana 0522-4021687 | • Rajkot 0522-4021687 | • Trichy 0522-4021687 |
| • Chennai 044-28551530 | • Lucknow 0522-4021687 | • Allahabad 022-28506246 | • Berhampur 0712-2222988 | • Madurai 022-28506246 | • Rourkela 0712-2222988 | • Trivandrum 022-28506246 |
| • Cochin 0484-2354595 | • Mumbai 022-28506246 | • Anantpuram 0712-2222988 | • Bhilai 020-66004041 | • Malda 0712-2222988 | • Salem 020-66004041 | • Udaipur 0712-2222988 |
| • Coimbatore 0422-4393995 | • Nagpur 0712-2222988 | • Aurangabad 0712-2222988 | • Bhopal 0712-2222988 | • Meerut 0712-2222988 | • Siliguri 0712-2222988 | • Vapi 0712-2222988 |
| • Dehradun 0135-2710567 | • Pune 020-66004041 | • Amravati 0771-6541590 | • Bilaspur 0771-6541590 | • Moradabad 0771-6541590 | • Silchar 0771-6541590 | • Varanasi 0771-6541590 |
| • Guwahati 0361-2450889 | • Raipur 0771-6541590 | • Akola 0651-2206144 | • Bijapur 0651-2206144 | • Mysore 0651-2206144 | • Surat 0651-2206144 | • Vellore 0651-2206144 |
| • Hubli 0836-4251463 | • Ranchi 0651-2206144 | • Angul 0265-2341747 | • Calicut 0265-2341747 | • Jharsuguda 0265-2341747 | • Sholapur 0265-2341747 | |
| • Hyderabad 040-66687878 | • Vadodara 0265-2341747 | • Bareilly 0265-2341747 | • Cuttack 0265-2341747 | • Jodhpur 0265-2341747 | | |

www.hplindia.com

Due to continuous development, specifications and features are subject to change without prior notice.



Power of Technology

Cubicle Load Break Switch from 63A to 3150A



www.hplindia.com



Cubicle Load Break Switch



Application

The HPL make Cubicle Load Break Switch is 4 Pole manually operated, consisting of two sets of terminals for connecting to incoming supply & load. It ensures safe isolation and is suitable for use in individual enclosures, switch boards, lighting and power panels etc. with following features :-

- Suitable for incoming and outgoing feeders
- 2 stable positions (I – O)
- Fully visualized breaking
- Pre equipped terminal cover, phase barrier with all ratings
- Compact design - saves panel space / supports easy maintenance
- Quick Make & Break type irrespective of human torque
- Resistant to Tropical conditions & polluted environment
- High thermal & dynamic withstand capacity
- Self extinguishing fiberglass re-inforced insulating body
- Available in Open execution, Steel sheet Enclosure & Direct Mounted type
- AC 23 A Category
- Bounce free contacts
- Any pole can be used as Neutral pole... true 4 pole switch
- Unique Safety Handle with built in door padlock facility
- 3 lock pad lock, lockable in ON & OFF positions
- Castle lock, interlocking two isolators
- High Electrical & Mechanical life

HIGHLIGHTS

- » Conforms to IS/IEC:60947-3
- » Available in 6 frame sizes... rated current from 63A to 3150A
- » Compact Design
- » Quick Make & Quick Break mechanism (spring load contact)
- » Clear indication of 'ON' & 'OFF' Position (I-O)
- » High Mechanical & Electrical life
- » Arc chute plates to enhance contact life
- » 100% Neutral rating... true 4 pole switch
- » Line load reversibility
- » Vertical or lateral mounting
- » Suitable for both aluminum & copper termination
- » Total safety : All moving and live parts covered
- » Terminal cover, phase barrier as standard feature
- » ROHS Compliant
- » Wide range of accessories



- Terminal Shroud & Phase barrier as standard design product
- Enclosed operating rod
- 3 lock pad lockable handle in both ON & OFF positions



Self Fire Extinguishing



Load Line Reversibility



Positive Isolation

Approvals & Test

- Time tested
- Customer Accepted
- CPRI Tested
- ISO 9001 Certified



Globally Accepted
exporting to over
25 countries



Cubicle Load Break Switch



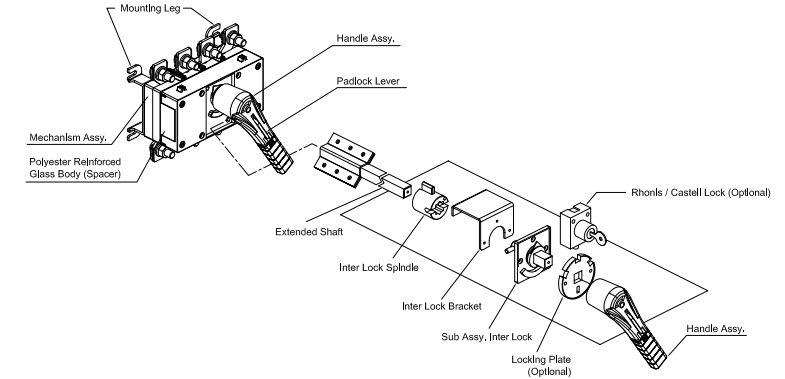
Overview (Operations)

Direct

The pad lockable handle is mounted directly on the Cubicle Load Break Switch and is lockable in OFF & ON position.

External

The pad lockable handle is to be mounted on the panel door and lockable in OFF position. The external front operation ensures that the door is locked in ON position.

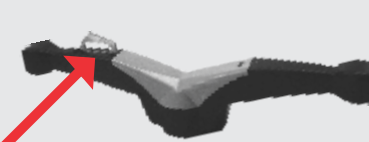


Accessories

Handle up to 630A

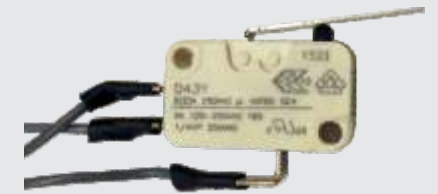


Handle for 800A and above



Handle with padlock lever

Auxiliary Contact



Castell Lock



Extended Shaft



Door Inter Lock Assy.

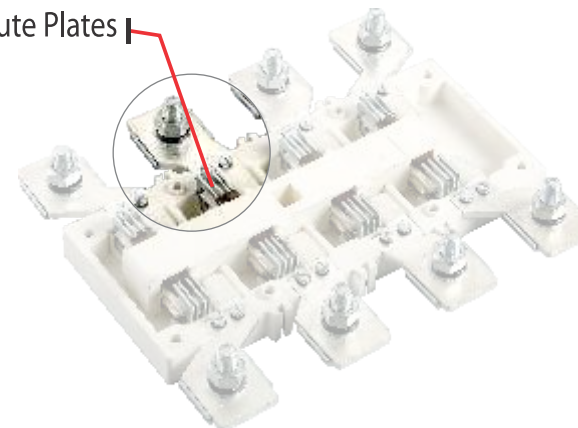


Inter-Phase barriers



Terminal Shroud

Arc Chute Plates



Working Principle:

Arc Chamber

The Arc Chamber is specially designed and provided with arc chute plates with an arc channel as a flow guide to reduce the arc length, thereby improving the capability of extinguishing the arc. This enhances the life of the moving & stationary contacts thereby increasing the life of the product.



Cubicle Load Break Switch



Specification Electrical & Mechanical Characteristic

Specification	Current Rating							
	Frame-0			Frame-1			Frame-2	
Frame Sizes	63A	80A	100A	125A	160A	200A	250A	320A
Thermal Current (Ith) 40°C	63	80	100	125	160	200	250	315
Max. Normal rating of fuses	63	80	100	125	160	200	250	315
Insulation voltage Ui (Vac)	750	750	750	1000	1000	1000	1000	1000
Dielectric strength (Vac) 50 Hz 1 minute	4000	4000	4000	5000	5000	5000	5000	5000
Impulse voltage (KV)	6	6	6	6	6	6	8	8

Rated Operational Current Ie (A)

415 Vac: AC 23A	63	80	100	125	160	200	250	320
415 Vac: AC 21A	63	80	100	125	160	200	250	320
500 Vac: AC 23A	55	55	55	100	130	160	200	250
260V dc: DC 21A	63	80	100	125	160	200	250	320
DC 22A	63	80	100	125	160	200	250	320
DC 23A	63	63	63	125	160	160	200	250
440V dc: DC 21A	63	80	100	125	160	200	250	320
DC 22A	63	80	100	125	130	160	200	250
DC 23A	63	63	63	125	130	160	200	250

Motor Power (KW) 415V

415 Vac without pre break Aux. Contact	30	30	30	63	70	80	132	160
500 Vac without pre break Aux. Contact	30	30	30	60	63	63	140	220
690 Vac without pre break Aux. Contact	22	22	22	50	55	55	90	150
415 Vac with pre break Aux. Contact	30	30	30	63	70	80	132	160
500 Vac with pre break Aux. Contact	30	30	30	70	80	80	160	220
690 Vac with pre break Aux. Contact	35	35	35	100	110	110	110	220
Motor Reactive 415 Vac (kVAR)	25	25	25	50	55	60	100	125

Overload Capacity

Short circuit current with fuses (kA RMS)	80	80	80	80	80	80	80	80
Fuse Rating	63	80	100	125	160	200	250	315
Peak short circuit making capacity (kA RMS)	15	15	15	20	20	20	30	45
Admissible short time current 1 sec (kA RMS)	5	5	5	7	7	7	13	13

Making & Breaking Characteristics

Breaking capacity (A RMS) 415 Vac pf=0.35	504	504	504	1000	1280	1600	2000	2520
Making capacity (A RMS) 415 Vac pf=0.35	630	630	630	1250	1600	2000	2500	3150

Endurance

Mechanical Life (No. of Operations)	10000	10000	10000	8000	8000	8000	8000	5000
Electrical Life (No. of Operations)	2500	1500	1500	1000	1000	1000	1000	1000
Operating Torque (N-m)	3.5	3.5	3.5	9.5	9.5	9.5	11	11

Connection

Min. Cu. Cable / Bus bar size (mm ²)	16	25	25	50	70	95	120	185
Min. Al. Cable / Bus bar size (mm ²)	25	25X2	25X2	70	95	150	185	240



Cubicle Load Break Switch



Specification Electrical & Mechanical Characteristic

Specification	Current Rating								
	Frame-3			Frame-4	Frame-5				
Frame Sizes	400A	630A	800A	1000A	1250A	1600A	2000A	2500A	3150A
Thermal Current (Ith) 40°C	400	630	800	1000	1250	1600	2000	2500	3150
Max. Normal rating of fuses	400	630	800	1000	1250	2 x 800	2 x 1000	2 x 1250	2 x 1250
Insulation voltage Ui (Vac)	1000	1000	1000	1000	1000	1000	1000	1000	1000
Dielectric strength (Vac) 50 Hz 1 minute	8000	8000	8000	8000	10000	10000	10000	10000	10000
Impulse voltage (KV)	12	12	12	12	12	12	12	12	12

Rated Operational Current Ie (A)

415 Vac: AC 23A	400	630	800	1000	1000	1000	1250	1250	1250
415 Vac: AC 21A	400	630	800	1000	1250	1600	2000	2500	3150
500 Vac: AC 23A	315	315	630	1000	1000	1000	1000	1000	1000
260V dc: DC 21A	400	630	800	1000	1250	1600	2000	2000	2000
DC 22A	400	500	800	1000	1250	1250	1250	1250	1250
DC 23A	400	500	800	1000	1250	1250	1250	1250	1250
440V dc: DC 21A	400	500	630	1000	1250	1600	2000	2000	2000
DC 22A	400	500	800	1000	1250	1250	1250	1250	1250
DC 23A	400	500	800	1000	1000	1000	1000	1000	1000

Motor Power (KW) 415V

415 Vac without pre break Aux. Contact	200	220	450	560	560	560	710	710	710
500 Vac without pre break Aux. Contact	220	220	450	560	560	710	710	710	710
690 Vac without pre break Aux. Contact	150	150	185	400	400	475	475	750	750
415 Vac with pre break Aux. Contact	220	355	450	560	710	710	900	1100	1155
500 Vac with pre break Aux. Contact	280	355	550	710	710	900	900	1100	1100
690 Vac with pre break Aux. Contact	220	295	475	600	600	750	750	900	900
Motor Reactive 415 Vac (kVAR)	150	2 x 125	2 x 150	3 x 150	4 x 125	5x 150	6 x 150	7 x 150	9 x 150

Overload Capacity

Short circuit current with fuses (kA RMS)	80	80	80	80	80	80	80	80	80
Fuse Rating	400	630	800	1000	1250	2 x 800	2 x 1000	2 x 1250	2 x 1250
Peak short circuit making capacity (kA RMS)	45	45	55	105	105	110	110	110	120
Admissible short time current 1 sec (kA RMS)	13	13	26	50	50	50	50	50	55

Making & Breaking Characteristics

Breaking capacity (A RMS) 415 Vac pf=0.35	3200	5040	6400	8000	8000	8000	10000	10000	10000
Making capacity (A RMS) 415 Vac pf=0.35	4000	6300	8000	10000	10000	10000	12500	12500	12500

Endurance

Mechanical Life (No. of Operations)	5000	5000	4000	4000	4000	3000	3000	2500	2500
Electrical Life (No. of Operations)	1000	1000	500	500	500	500	500	500	500
Operating Torque (N-m)	17	17	40	40	40	40	60	60	60

Connection

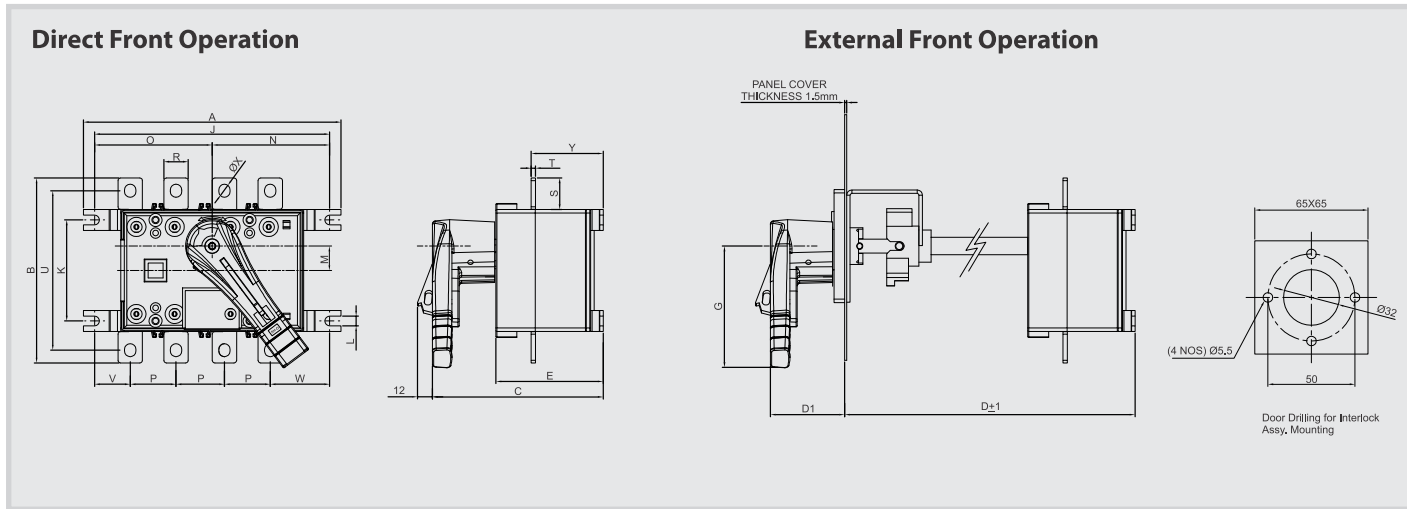
Min. Cu. Cable / Bus bar size (mm ²)	30x5x2	40x5x2	50x5x2	60x5x2	80x5x2	100x5x2	100x5x3	100x5x4	100x10x3
Min. Al. Cable / Bus bar size (mm ²)	32x8x2	40x8x2	50x8x2	50x10x2	63x12x2	100x8x2	100x10x3	100x10x4	---



Cubicle Load Break Switch

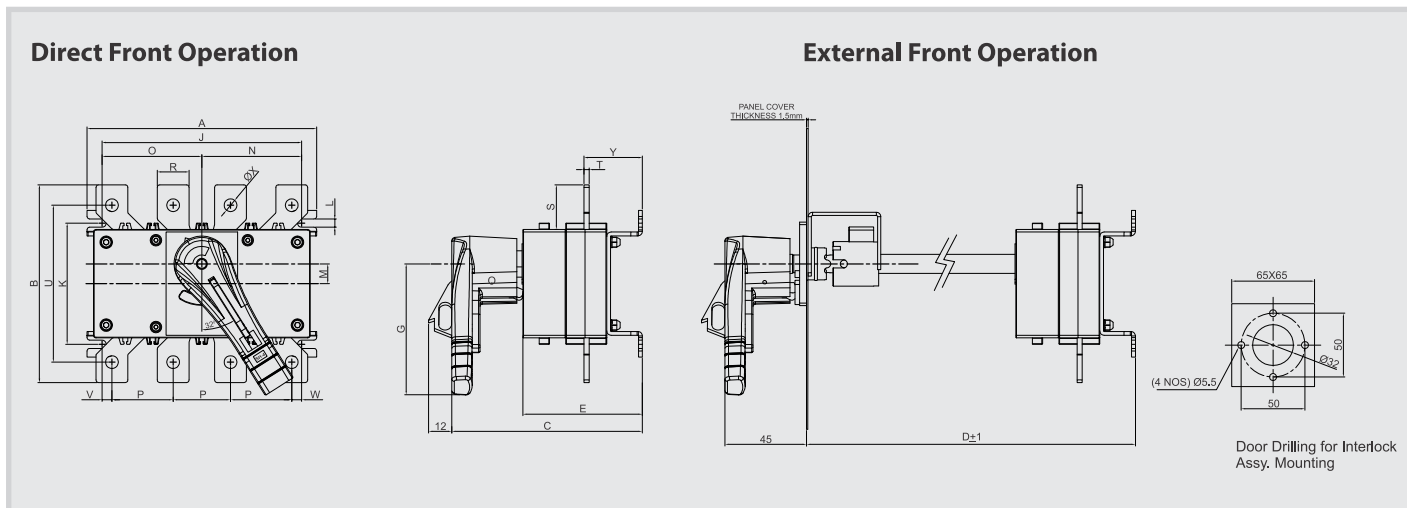


Dimensional Details : Load Break Switch 63A To 100A



Over All Dimension		Fixing of SW.					Connection Terminal										SW. W.T.						
Rating	A	B	C	D	D1	E	G	J	K	L	M	N	O	P	R	S	T	U	V	W	ØX	Y	Open Ex.
Frame-0 4x63A	148	106	98	126	45	62	80	135	58	5.5	14	67.5	67.5	27	14	18	2.5	91	20.5	34	6.5	42	1 Kg.
4x80A	148	106	98	126	45	62	80	135	58	5.5	14	67.5	67.5	27	14	18	2.5	91	20.5	34	6.5	42	1 Kg.
4x100A	148	106	98	126	45	62	80	135	58	5.5	14	67.5	67.5	27	15	18	2.5	91	20.5	34	6.5	42	1 Kg.

Load Break Switch 125A To 630A



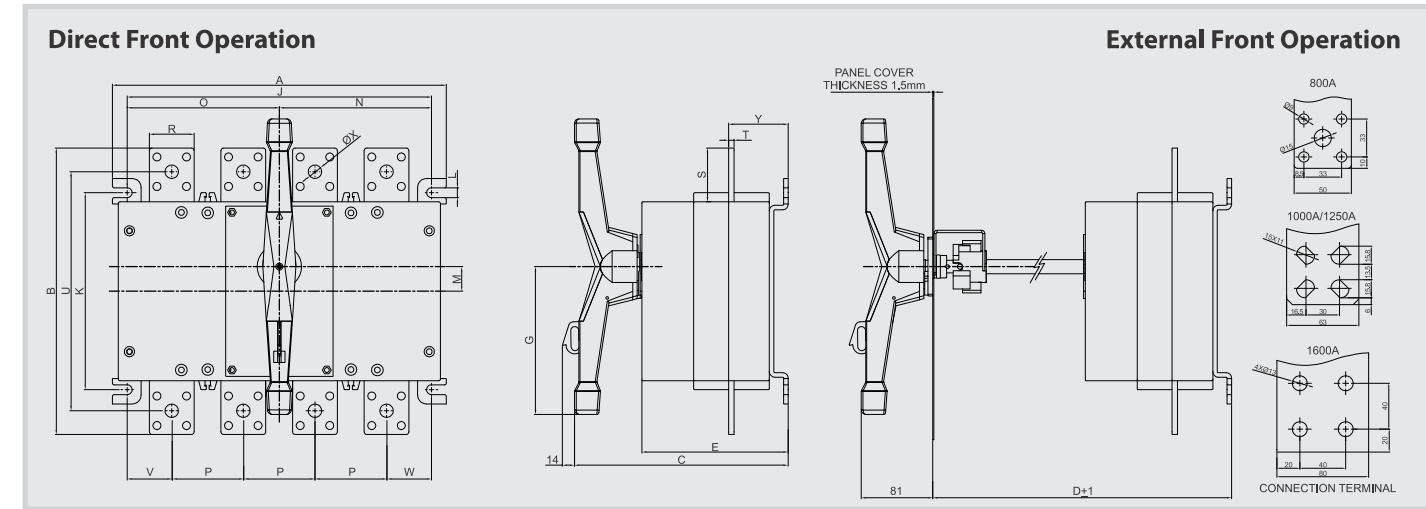
Over All Dimension		Fixing of SW.					Connection Terminal										SW. W.T.					
Rating	A	B	C	D	E	G	J	K	L	M	N	O	P	R	S	T	U	V	W	ØX	Y	Open Ex.
Frame-1 4x125A	180	141	150	164	94	116	162	95	6.5	15	81	81	44	22	28	3	118	15	15	8.5	46	1.8 Kg.
4x160A	180	155	150	164	94	116	162	95	6.5	15	81	81	47	25	35	4	123	10.5	10.5	10	46	2.1 Kg.
4x200A	180	155	150	164	94	116	162	95	6.5	15	81	81	47	25	35	4	123	10.5	10.5	10	46	2.1 Kg.
Frame-2 4x250A	240	192	160	176	104	150	217	111	6.5	20	109	109	64	32	46	4.5	152	15	9.5	12.5	48	3.1 Kg.
4x320A	240	192	160	176	104	150	217	111	6.5	20	109	109	64	32	46	4.5	152	15	9.5	12.5	48	3.1 Kg.
Frame-3 4x400A	304	240	200	212	144	150	280	180	9	30	140	140	72	40	40	5	206	30	30	11	69	6.0 Kg.
4x630A	304	270	200	212	144	150	280	180	9	30	140	140	80	55	55	5	230	20	20	14.5	69	7.0 Kg.



Cubicle Load Break Switch

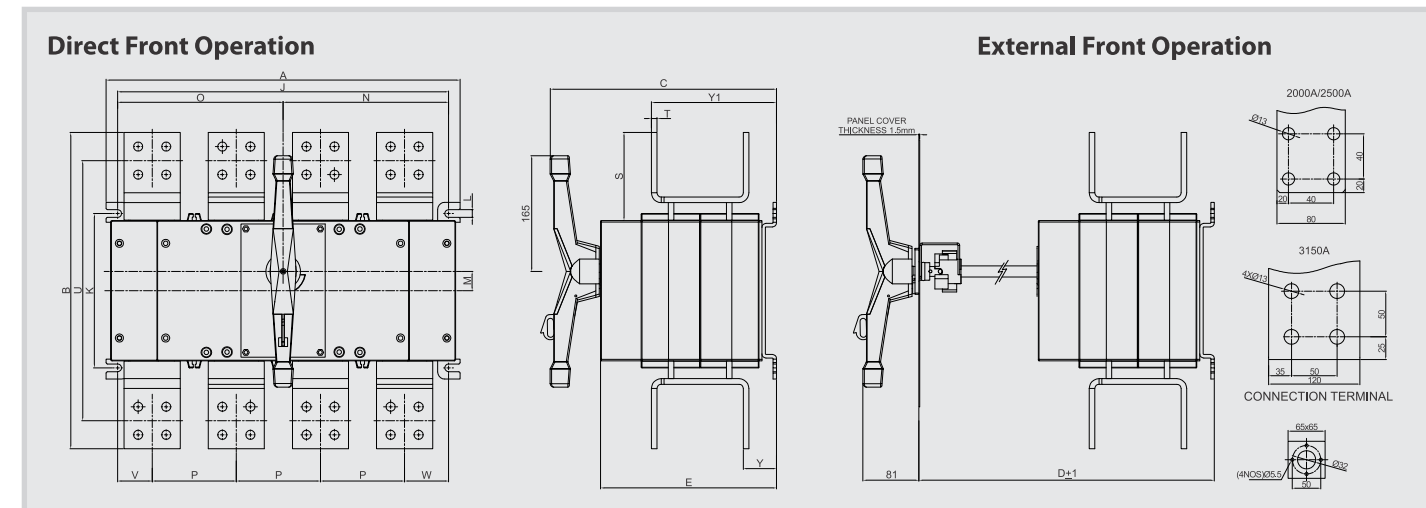


Dimensional Details : Load Break Switch 800A To 1600A



Over All Dimension		Fixing of SW.					Connection Terminal										SW. W.T.					
Rating	A	B	C	D	E	G	J	K	L	M	N	O	P	R	S	T	U	V	W	ØX	Y	Open Ex.
Frame-4 4x800A	373	320	235	234	164	165	340	220	11	28	170	170	80	50	60	6	267	50	50	15	67	11.7 Kg.
Frame-5 4x1000A	505	330	235	234	164	165	474	220	11	28	237	237	120	63	65	6	273	50	63		65	16.5 Kg.
4x1250A	505	330	235	234	164	165	474	220	11	28	237	237	120	63	65	7	273	50	63		66	16.8 Kg.
4x1600A	505	361	235	234	164	165	374	220	11	28	237	237	120	80	80	15	281	50	63		70	23.0 Kg.

Load Break Switch 2000A To 3150A



Over All Dimension		Fixing of SW.					Connection Terminal										SW. W.T.		
Rating	A	B	C	D	E	J	K	M	N	O	P	S	T	U	V	W	Y	Y1	Open Ex.
Frame-5 4x2000A	505	450	323	335	251	474	220	28	237	237	120	125	8	371	50	64	72	155	38.0 Kg.
4x2500A	505	450	323	335	251	474	220	28	237	237	120	125	10	371	50	64	73	156	39.5 Kg.
4x3150A	505	500	323	335	251	474	220	28	237	237	120	150	15	401	50	64	75	159	58.0 Kg.